

PUSH-BACK RACK

SYSTEM DESIGN CHEAT SHEET

PROJECT: _____

ADDRESS: _____

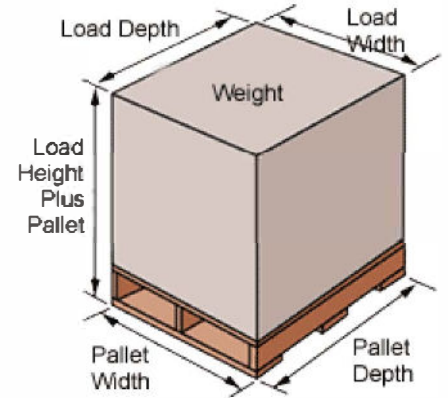
CITY: _____ STATE: _____ ZIP: _____

PALLET INFORMATION

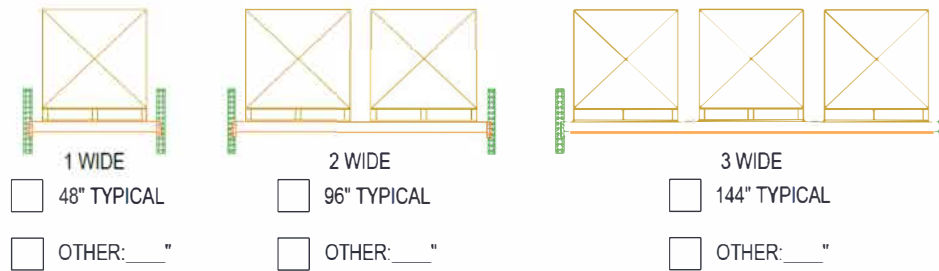
PALLET WIDTH: _____ (in) PALLET DEPTH: _____ (in)

LOAD WIDTH: _____ (in) LOAD DEPTH: _____ (in)

TOTAL HEIGHT: _____ (in) WEIGHT: _____ (lbs)



PALLET CONFIGURATION



SYSTEM DEPTH

- 2 PALLETS
- 3 PALLETS
- 4 PALLETS
- 5 PALLETS

BEAM CONFIGURATION

